

INOSP-W101-PC

Intel® Celeron® Processor N3010
Stainless Steel Panel PC

INOSP Series 10.1"

I/O View



Features

- Digitizer touch pen support
- Stainless steel housing, 5 side with IP65 rated
- Gorilla 9H surface touch glass



- 12V~24V DC \pm 20% wide-range power input



- Adjustable U-mounting kit



Why Stainless Steel?

- Easily cleanable
- Corrosion-resistant
- Smoothly bonded seams
- Durable
- 100% recyclable
- Hygienic

01

Vertical Applications
Panel PC

02

Stainless Steel
Panel PC

03

All-In-One Panel
PC with Riser Card
Expansion

04

Compact Panel PC

05

Heavy-duty
Industrial Panel PC

06

ARM-Based
Panel PC

07

ARM-Based HMI

INOSP-W101-PC

Specifications

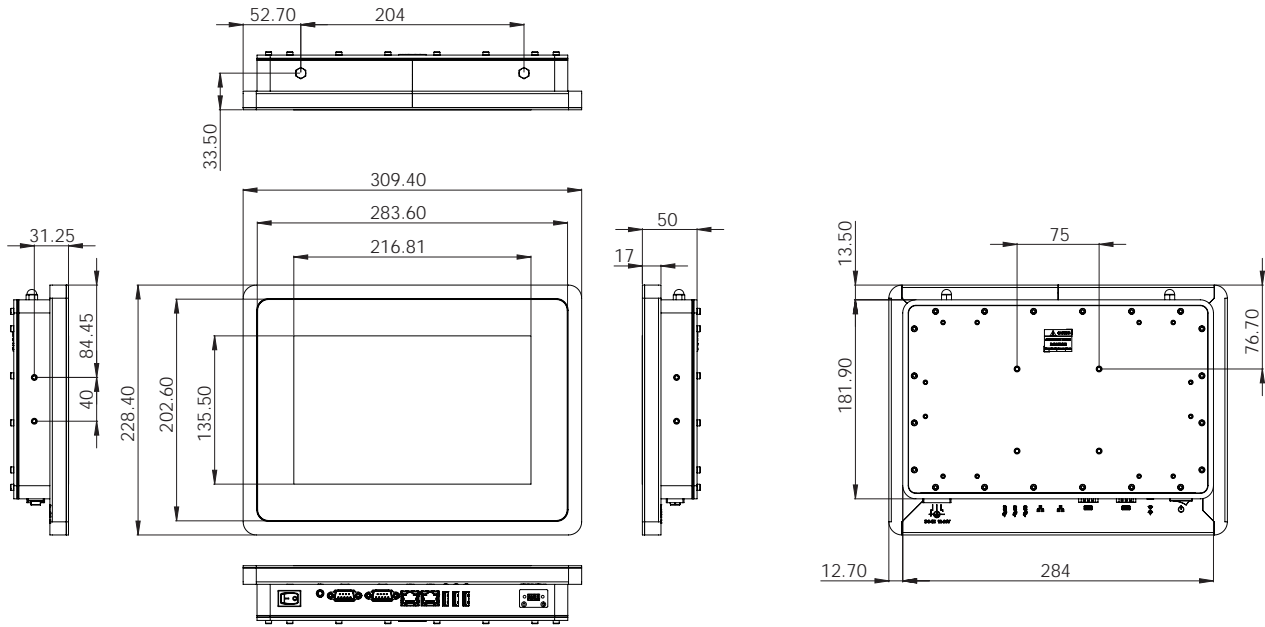
Model No.	INOSP-W101-PC	
Display & Touch Screen	Display Size	10.1" TFT-LCD
	Max. Resolution	1280 x 800
	Luminance (cd/m ²)	300
	Contrast	800:1
	Max. Color	16.7M
	View Angle (H°/V°)	170/170
	Backlight Lifetime(hrs)	15000
	Touch Type	Projected capacitive
	Touch Interface	USB
	Light Transmission (%)	87
	Point of Touch	2
I/O Interface	USB 3.0	3
	USB 2.0	0
	RS-232/422/485 Selectable under BIOS	1
	RS-232	1
	LAN	2x GbE
	Additional Graphics	None
	Audio	Line-out
	Digital I/O	None
	Power Connector	3-pin terminal block
	Power Button	Rock switch
Mechanical	Dimensions (mm)	309.4 x 228.4 x 50
	Net Weight (kgs)	TBD
System	Processor	Intel® Celeron® Processor N3010, Dual Core @ 1.04GHz
	Memory	1x DDR3L SO-DIMM, up to 8GB, default DDR3L 4GB
	Thermal Design	Fanless
	Membrane Control	None
	Built-in Speaker/Mic	None
Expansion	Internal Expansion Bus	1x Mini PCI-E half/full size 1x Mini PCI-E half size
	Expansion Slot	None
	Wireless	Optional Wi-Fi/BT
Storage Space	HDD	1x 2.5" SATA
	Removable	None
Power	Power Input Range	12V~24V DC
Construction	Chassis Material	304 Stainless Steel
	Color (Front/Back)	Silver / Silver
	IP Rating	IP65, except I/O side
	Mounting	Panel mount and VESA 75x75 mm, Adjustable stand
Environmental	Operating Temperature	0°C ~ 50°C
	Storage Temperature	-20°C ~ 60°C
	Storage Humidity	10%~90% @ 40°C (non-condensing)
	Certification	CE/FCC Class B
	Supported Operating Systems	Windows 10, Windows 8.1 64 bit, Windows 7 64 bit

Remarks: 1. Specifications are subject to change without prior notice. 2. ODM/OEM is available. 3. For user's manual & datasheet download, visit www.ibase.com.tw.

INOSP-W101-PC

Dimensions

INOSP-W101-PC



Ordering Information

INOSP-W101-PC	10.1" (1280 x 800) Flat Panel Design Panel PC with IBP800, Intel® Celeron® Processor N3010, Dual Core @ 1.04GHz, DDR3L SO-DIMM 4GB, 64G SSD, projected capacitive touch, w/o power adaptor
Power adaptor (optional)	AC 100V~240V input, 24V DC output 90W power adaptor, IBASE P/N: A005PS090W0100600P

01

Vertical Applications
Panel PC

02

Stainless Steel
Panel PC

03

All-In-one Panel
PC with Riser Card
Expansion

04

Compact Panel PC

05

Heavy-duty
Industrial Panel PC

06

ARM-Based
Panel PC

07

ARM-Based HMI