

# SI-313-N

## Mid-Range Digital Signage Player

3rd Generation AMD Embedded R-series APU-based Signage Player with Next-Gen AMD Radeon™ HD Graphics and Three HDMI

Signature Book™



### Specifications

System Mainboard	MBD313
CPU Type	AMD R-Series 28nm Quad-Core/Dual-Core APU *The maximum TDP supported is 15W*
CPU Package	FP4 BGA package, 37mm x 29mm, 0.8mm pitch
Chipset	AMD integrated SoC
Memory	2x DDR4-2133 SO-DIMM, Dual channel, Max. 32GB
Graphics	Next-Gen AMD Radeon™ HD GPU integrated
LAN	1x RTL8111G Gigabit LAN controller
Expansion Slots	1x M.2 B key (3042) for storage, Wi-Fi, Bluetooth, 4G options 1x Mini PCI-E (full-size) for Wi-Fi, Bluetooth, 4G, or TV tuner options 1x SIM card slot
I/O Interface	3x HDMI 2.0 with EDID emulation 1x RJ45 for LAN 1x RJ45 for RS-232 serial port 2x USB 3.0 2x USB 2.0 2x Audio connectors for Mic in / Line out Power / HDD LED, 1x power button 1x power jack connector
Auto Control and Monitoring	Watchdog Timer: 256 segments, 0,1,2...255 (sec/min)
Power Requirement	+12V DC
Construction	Aluminum + SGCC
Weight	1.55kgs (3.42lbs)
Chassis Color	Black & white
Storage	1x M.2 M-Key(2280)
Power Supply	84W power adaptor
Mounting	Standard system bracket
Dimensions	216mm(W) x 150mm(D) x 33mm(H) 8.5"(W) x 5.91"(D) x 1.3"(H)
Operating Temperature	0°C ~ 45°C (32°F~113°F)
Storage Temperature	-20°C ~ 80°C (-4°F~176°F)
Relative Humidity	10%~90% (non-condensing)
Vibration	M.2: 5 grms / 5~500Hz / random operation
Certification	CE, FCC class B, cULus & CCC
Operating System	Windows® 7 (32/64-bit), Windows 8.1† (64-bit) Windows 10 (64-bit), Windows 10 IOT Enterprise (64-bit) Windows Embedded Standard 7 (32/64-bit) Windows Embedded Standard 8 (32/64-bit) Linux Open Source (64-bit)

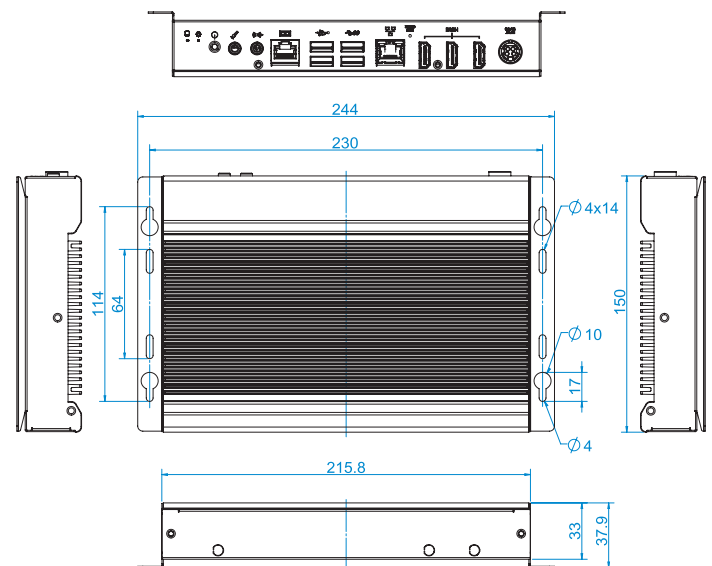
### Features

- iSMART - for auto-scheduling and power resume
- 3rd Generation AMD Embedded R-series APU (Codenamed: Merlin Falcon), up to 15W
- Next-gen AMD Radeon™ HD GPU integrated
- Supports AMD Eyefinity video wall display configuration setting
- 3x HDMI 2.0 with independent audio output & hardware EDID emulation function
- 2x DDR4-2133 SO-DIMM, Dual channel, Max. 32GB
- 1x M.2 B key(3042) for storage, Wi-Fi, Bluetooth, 4G options
- 1x Mini PCI-E (full-size) for Wi-Fi, Bluetooth, 4G, or TV tuner options
- Compact and fanless design

### Ordering Information

SI-313-NQC	Signage Player with AMD 4 Cores RX-421BD Quad-Core 2.1GHz/3.4GHz APU, 2x 4GB DDR4 SO-DIMM 2133, M.2 64GB, 84W power adaptor
SI-313-NDC	Signage Player with AMD 4 Cores RX-216GD Dual-Core 1.6GHz/3.0GHz APU, 2x 4GB DDR4 SO-DIMM 1600, M.2 64GB, 84W power adaptor

### Dimensions



Remarks: 1. Specifications are subject to change without prior notice. 2. ODM/OEM is available. 3. For user's manual & datasheet download, visit [www.ibase.com.tw](http://www.ibase.com.tw).