

BYTEM-123-PC

EN50155 Certified Intel® Atom™ Processor E3845 Quad-Core
12.1" Transportation Projected Touch Panel PC

Transportation Series 12"

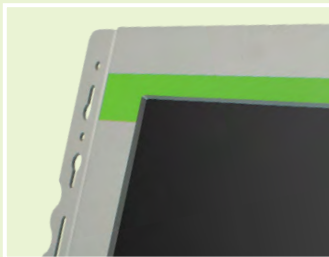


I/O View



Features

- EN50155 certified
- Optical bonding
- Front bezel IP65 and full IP54 protection



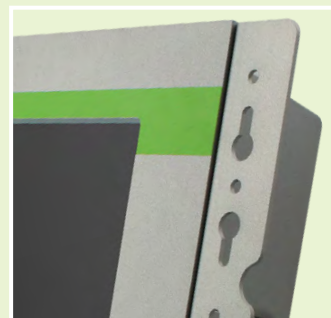
- 24V DC power input with M12 connector, 48V DC, 72V DC or 110V DC as options
- Two M12 LAN ports and one M12 USB port



- Movable and programmable membrane keypad



- Additional rack mount kit



BYTEM-123-PC

Specifications

Model No.	BYTEM-123-PC	
Display & Touch Screen	Display Size	12.1" TFT-LCD
	Max. Resolution	1024 x 768
	Luminance (cd/m ²)	350
	Contrast	800:1
	Max. Color	16.7M
	View Angle (H°/V°)	170/170
	Backlight Lifetime(hrs)	30000
	Touch Type	Projected capacitive
	Touch Interface	USB
	Light Transmission (%)	90
I/O Interface	Point of touch	2
	USB 3.0	1
	USB 2.0	1x Type A and 1x M12 connector
	RS-232/422/485 Selectable under BIOS	1
	RS-232	0
	LAN	2x GbE 2x 10/100 LAN with M12 connector
	Additional Graphics	DP
	Audio	None
	Digital I/O	None
	Power Connector	4-pin M12 connector
Mechanical	Power Button	Reset button
	Dimensions (mm)	335 x 267 x 72.1
System	Net Weight (kgs)	3.6
	Processor	Intel® Atom™ Processor E3845 (Quad-Core @ 1.91GHz)
	Memory	2x DDR3L SO-DIMM, up to 8GB, default DDR3L 4GB(4GBx1)
	Thermal Design	Fanless
	Membrane Control	Brightness up/down and Volume up/down/power button
Expansion	Built-in Speaker/MIC	2x Speaker
	Internal Expansion Bus	1x mPCIe(x1) w/ USB signal [half-size] 1x mSATA/mPCIe(x1) w/ USB signal and mSATA support [full-size]
	Expansion Slot	None
Storage Space	Wireless	Optional Wi-Fi/BT
	HDD	1x 2.5" SATA
Power	Removable	None
	Power Input Range	24V DC (default) power input, Optional 48V DC, 72V DC & 110V DC
Construction	Chassis Material	Aluminum front bezel and back cover
	Color (Front/Back)	Silver/Silver
	IP Rating	IP65 front bezel/ IP54 for whole unit with I/O cover
	Mounting	Wall mount and VESA 75x75 mm
Environmental	Operating Temperature	-25°C ~ 55°C
	Storage Temperature	-30°C ~ 70°C
	Storage Humidity	10%~90% (non-condensing)
	Certification	CE/FCC Class B EN50155-T1
	Supported Operating Systems	Windows 8 32/64 bit, Windows 7 Pro for Embedded 64 bit, WES7 64 bit

01

Vertical Applications
Panel PC

02

Stainless Steel
Panel PC

03

All-In-one Panel
PC with Riser Card
Expansion

04

Compact Panel PC

05

Heavy-duty
Industrial Panel PC

06

ARM-Based
Panel PC

07

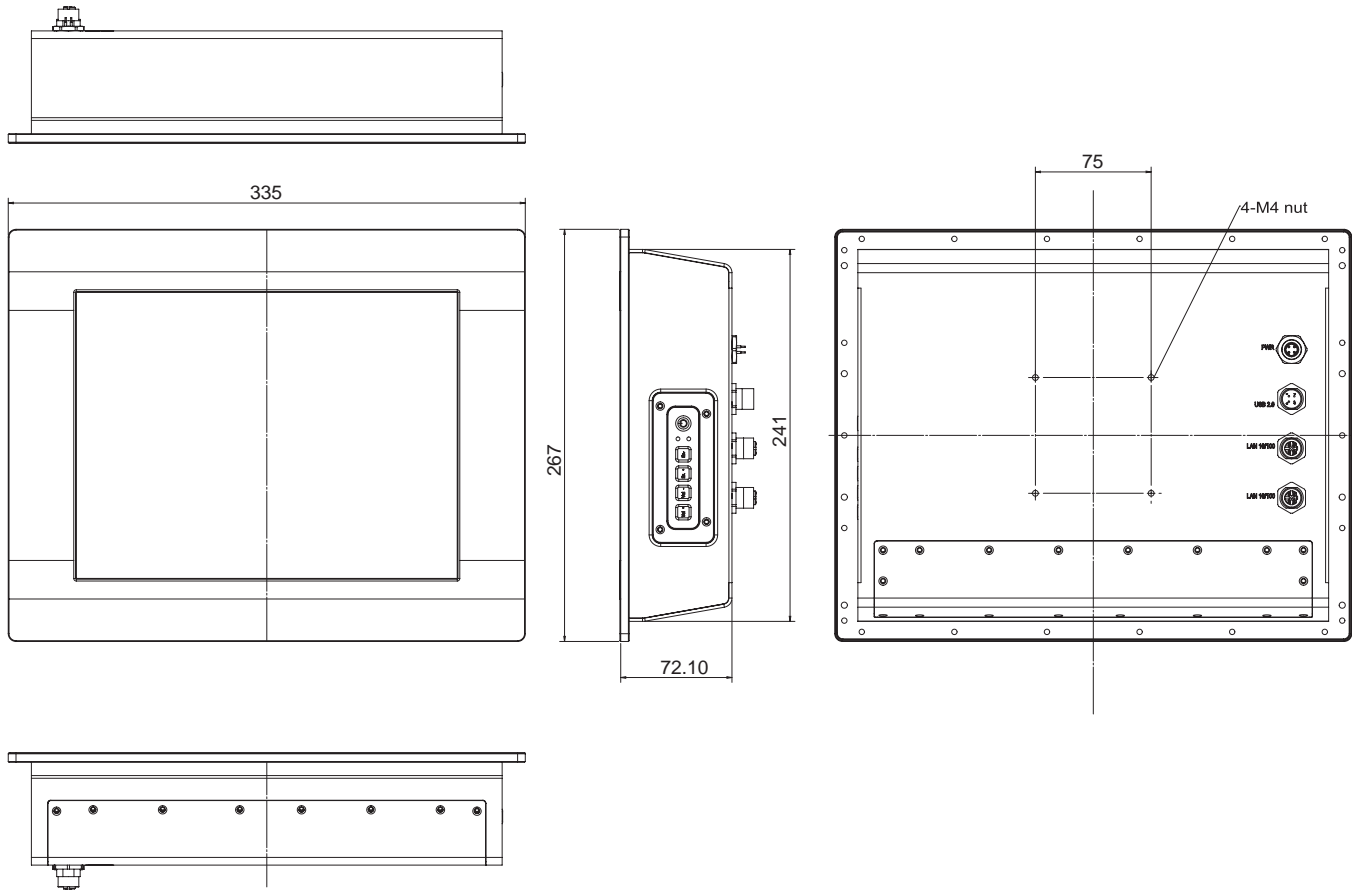
ARM-Based HMI

16

BYTEM-123-PC

Dimensions

BYTEM-123-PC



Ordering Information

BYTEM-123-PC	12.1" (1024 x 768) Panel PC with IB897, Intel® Atom™ Processor E3845 1.91GHz, 4GB DDR3L SO-DIMM, 64G SSD, projected capacitive touch, w/o power adaptor
Power adaptor (optional)	AC 100V~240V input, 24V DC output 90W power adaptor, IBASE P/N: A005PS090W0100600P