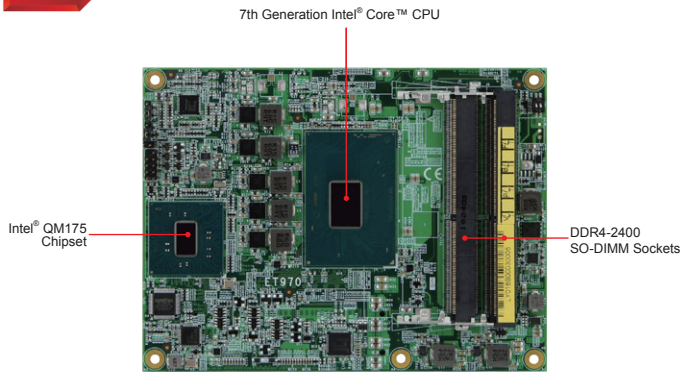


NEW



(All via baseboard)

Features

- Onboard 7th Generation Intel® Xeon® E3 / Core™ i7/i5/i3 processors
- 2x DDR4-2400 SO-DIMM, Max. 32GB
- 1x Intel® PCI-E GbE LAN
- Watchdog timer, Digital I/O
- 8x USB 2.0, 4x USB 3.0, 2x COM, 4x SATA III
- Support 3x independent displays
- Supports TPM 2.0
- 8x PCI-E(x1), 1x PCI-E(x16)

System

CPU	BGA1440 for 7th Generation Intel® Core™ H-series processors
System Memory	2x DDR4-2400 SO-DIMM, Max 32GB
System Chipset	Intel® QM175 & CM238 & HM175 PCH
BIOS	AMI
Watchdog Timer	256 levels
SSD	N/A
H/W Monitor	Yes
Expansion Slot	8x PCI-E (x1), 1x PCI-E(x16)

Graphics

VGA Controller	7th Generation Intel® Core™ processor integrated graphics, supports DVI, HDMI, DisplayPort, LVDS
VGA Memory	Shared memory
LCD Interface	24-bit dual channels LVDS on baseboard

LAN

Controller	Intel® I219LM LAN PHY
Connector	1x RJ-45 on baseboard (IP413)

Multi I/O

I/O Chipset	Nuvoton NCT5523D on board (supports Tx/Rx only)
USB	4 ports USB 3.0 via baseboard 8 ports USB 2.0 via baseboard
Audio	Intel® QM175 PCH built-in HD audio w/ Realtek ALC662 codec on baseboard (IP413)
Others	Digital I/O, TPM 2.0

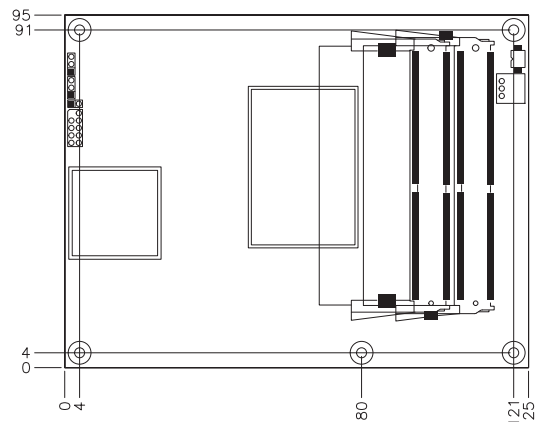
Mechanical and Environmental

Dimensions	95mm x 125mm (3.74" x 4.92")
Max. Power Requirement	TBD
Operating Temperature	0°C~60°C (32°F~140°F)
Storage Temperature	-20°C~80°C (-4°F~176°F)
Relative Humidity	10%~90% (non-condensing)

Ordering Information

ET970K-X3G	COM Express (Type 6) with Intel® Xeon® E3-1505M V6 (3.0GHz), CM238 PCH, DDR4 dual channel memory
ET970K-i7	COM Express (Type 6) module with Intel® Core™ i7-7820EQ (3.0GHz~3.7GHz), QM170 PCH, DDR4 dual channel memory
ET970K-i5	COM Express (Type 6) module with Intel® Core™ i5-7440EQ (2.9GHz~3.6GHz), QM170 PCH, DDR4 dual channel memory
ET970K-i3	COM Express (Type 6) module with Intel® Core™ i3-7100E (2.9GHz), QM170 PCH, DDR4 dual channel memory
ET970S-i7	COM Express (Type 6) with Intel® Core™ i7-6820EQ (2.8GHz), QM170 PCH, DDR4 dual channel memory
HSET970-B	Heatsink with Fan for ET970

Dimensions and Drawing



01 Embedded Systems
02 CPU Modules
03 Motherboards
04 Disk-Size SBCs
05 CPU Cards